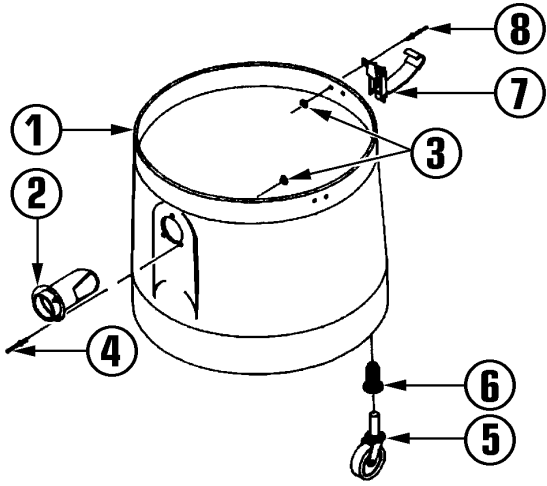


# 8, 15, & 20 GALLON POLY TANK REPLACEMENT PARTS LIST

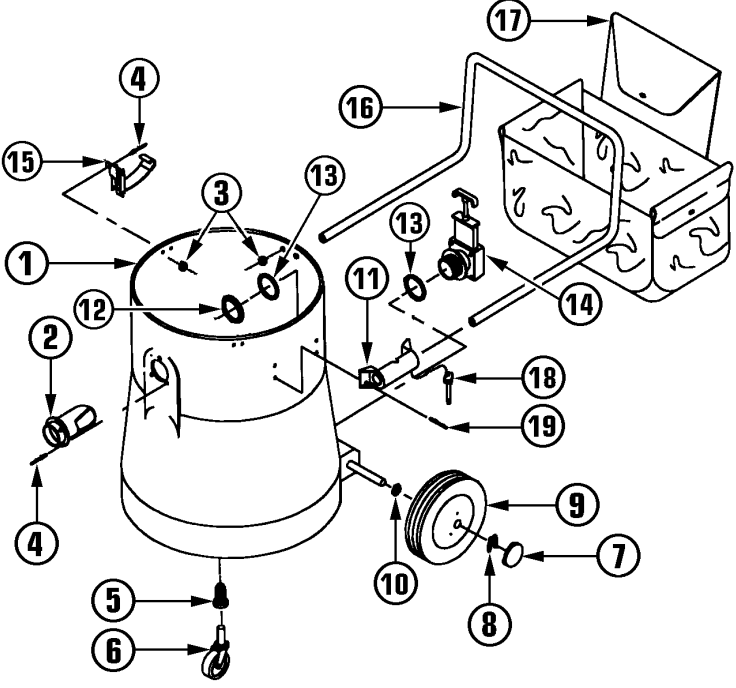
## 8 GALLON RECOVERY TANK

Ref No	Part Description	Qty	Part No
1	Poly Tank w/o Casters	1	372560
2	Inlet Fitting	1	325406
3	Steel Washer	9	303909
4	Pop Rivet	3	415472
5	2 1/2" Ball Bearing Casters	4	307408
6	Plastic Caster Socket	4	371750
7	Hold Down Clamp	3	358312
8	Pop Rivet	6	374733



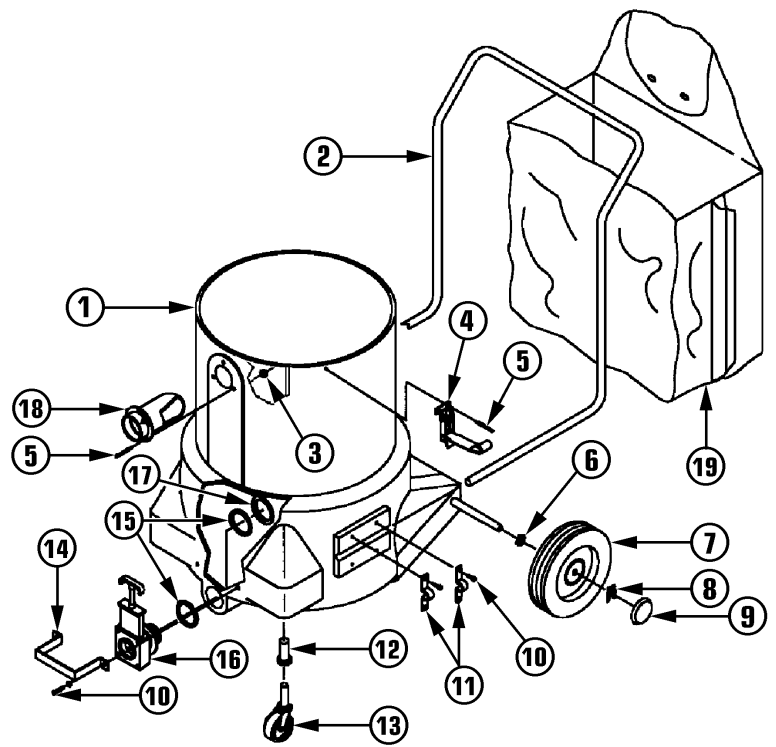
## 15 GALLON RECOVERY TANK

Ref No	Part Description	Qty	Part No
1	Poly Tank Assembly	1	375640
2	Inlet Fitting	1	325406
3	Steel Washer	3	303909
4	Pop Rivet	3	415472
5	Plastic Caster Sockets	2	371750
6	2 1/2" Ball Bearing Casters	2	307408
7	Hub Cap	2	319317
8	"X" Washer	2	368997
9	8" Wheel w/Hub	2	330396
10	Spring Washer	2	374059
11	Handle Bracket	2	376949
12	Large Nut	1	306789
13	Gate Valve Gasket	2	307602
14	Gate Valve	1	319260
15	Hold Down Clamps	3	358312
16	Chrome Push Handle	1	376906
17	Tool Caddy	1	319198
18	Speed Pin & Ring Assy	2	385182
19	Pop Rivet	14	374733

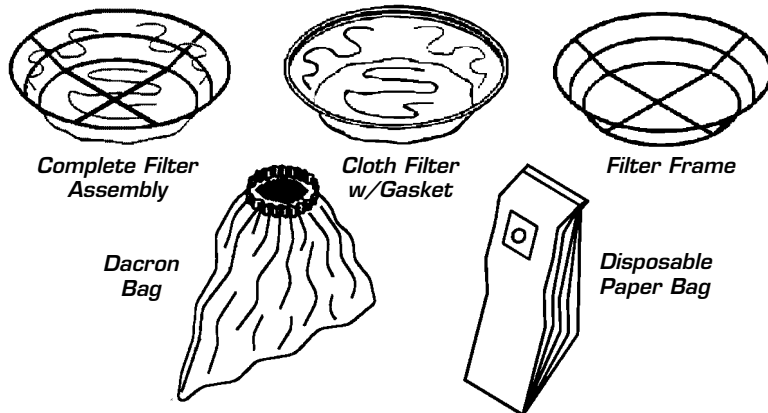


# 20 GALLON RECOVERY TANK

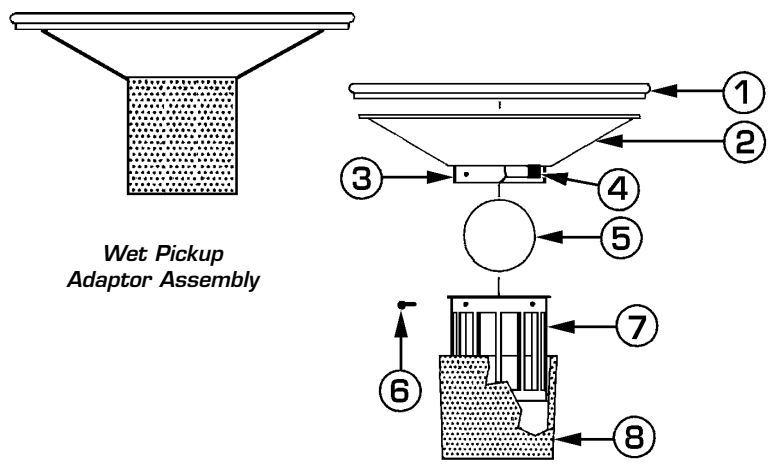
Ref No	Part Description	Qty	Part No
1	Poly Tank Assembly	1	326305
2	Chrome Push Handle	1	315524
3	Steel Washer	3	303909
4	Hold Down Clamps	3	358312
5	Pop Rivet	9	374733
6	Spring Washer	2	374059
7	8" Wheels	2	369004
8	"X" Washer	2	368997
9	Hub Cap	2	319317
10	1/4-20 X 1 1/2" Rd Screws	10	360848
11	Handle Brackets	4	328111
12	Plastic Caster Sockets	2	371750
13	3" Swivel Casters	2	314056
14	Guard for Gate Valve	1	314064
15	Gate Valve Gasket	2	307602
16	Gate Valve w/Hose Connector	1	318442
17	Large Nut	1	306789
18	Inlet Fitting	1	325406
19	Tool Caddy (Optional)	1	354201



## DRY FILTERS AND DISPOSABLE BAGS



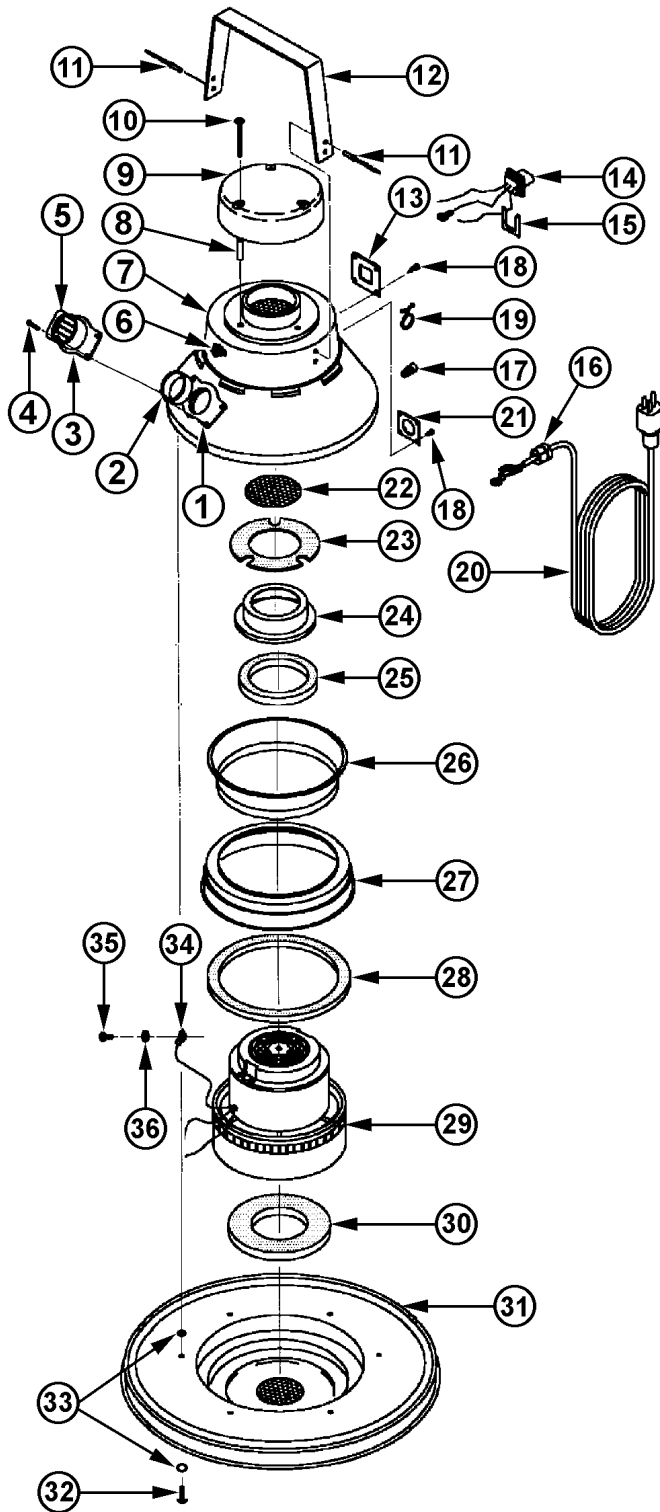
Part Description	Part No
Complete Dry Filter Assembly	378461
Filter Frame Assembly	371696
Cloth Filter w/Gasket	371580
Dacron Clog-Proof Bag	300888
Disposable Paper Bags-5/Pk (8 Gal)	330353
Disposable Paper Bags-5/Pk (15 & 20 Gal)	384496



## WET PICKUP ADAPTOR REPLACEMENT PARTS LIST

Ref No	Part Description	Qty	Part No
	Wet Pickup Adapter Assy	1	377295
1	Sealing Gasket	1	376027
2	Wet Pan w/Filter Support and Gaskets	1	371742
3	Filter Support Cup	1	377791
4	Ball Neoprene Gasket	1	338567
5	Float Ball	1	338133
6	Screw	2	309710
7	Plastic Float Cage	1	377775
8	Foam Charcoal Sleeve	1	365300

# #15 MOTOR HEAD REPLACEMENT PARTS LIST



## 2<sup>1</sup>/<sub>4</sub> HP BY-PASS MOTOR HEAD

Ref No	Part Description	Qty	Part No
	14" Motor Head Assembly	1	369942C
	16" Motor Head Assembly	1	369543C
1	Exhaust Connector Gasket	1	364606
2	Flat Gasket	1	368008
3	Air Deflector Exhaust	1	367958
4	Tubular Rivets	4	348538
5	Exhaust Connector w/Pins	1	364665
6	Switch	1	324140
7	Dome Assembly	1	367818
8	Steel Spacer	3	367842
9	Dome Cover	1	367850
10	#10-24 X 1 <sup>3</sup> / <sub>4</sub> " Screw	3	366676
11	Handle Pop Rivets	4	318906
12	Carrying Handle	1	367834
13	Receptacle Mounting Plate	1	367990
14A	115 Volt Convenience Outlet	1	341746
14B	230 Volt Convenience Outlet	1	312495
15	Retainer Clip	1	341932
16	Strain Relief	1	434299
17	Yellow Wire Connector	4	350648
18	#6-32 X 1 <sup>1</sup> / <sub>4</sub> " Screw	8	349402
19	Large Purse Lock	2	365483
20	30 Ft, 14/3 Line Cord	1	312789
21	Strain Relief Mounting Plate	1	367982
22	Disc Screen	1	367893
23	Pyrell Gasket	1	367885
24	Air Conductor Spinning	1	367974
25	Top Motor Gasket	1	317446
26	Motor Holddown Spinning	1	367915
27	Air Collector Assembly	1	367931
28	Flat Gasket	1	379158
29A	115 Volt, 2 <sup>1</sup> / <sub>4</sub> HP Motor	1	304301
29B	230 Volt, 2 <sup>1</sup> / <sub>4</sub> HP Motor	1	311987
30	Motor Gasket	1	378607
31A	16" Cover Assembly	1	373184
31B	14" Cover Assembly	1	373192
32	#10-24 X 1 <sup>1</sup> / <sub>2</sub> " Screw	6	372633
33	#12 Internal Tooth Lockwasher	2	364037
34	Electrical Terminal	1	319724
35	#10-24 X 1 <sup>3</sup> / <sub>4</sub> " Screw	1	337315
36	#10-24 Hex Nut w/Lockwasher	3	331201