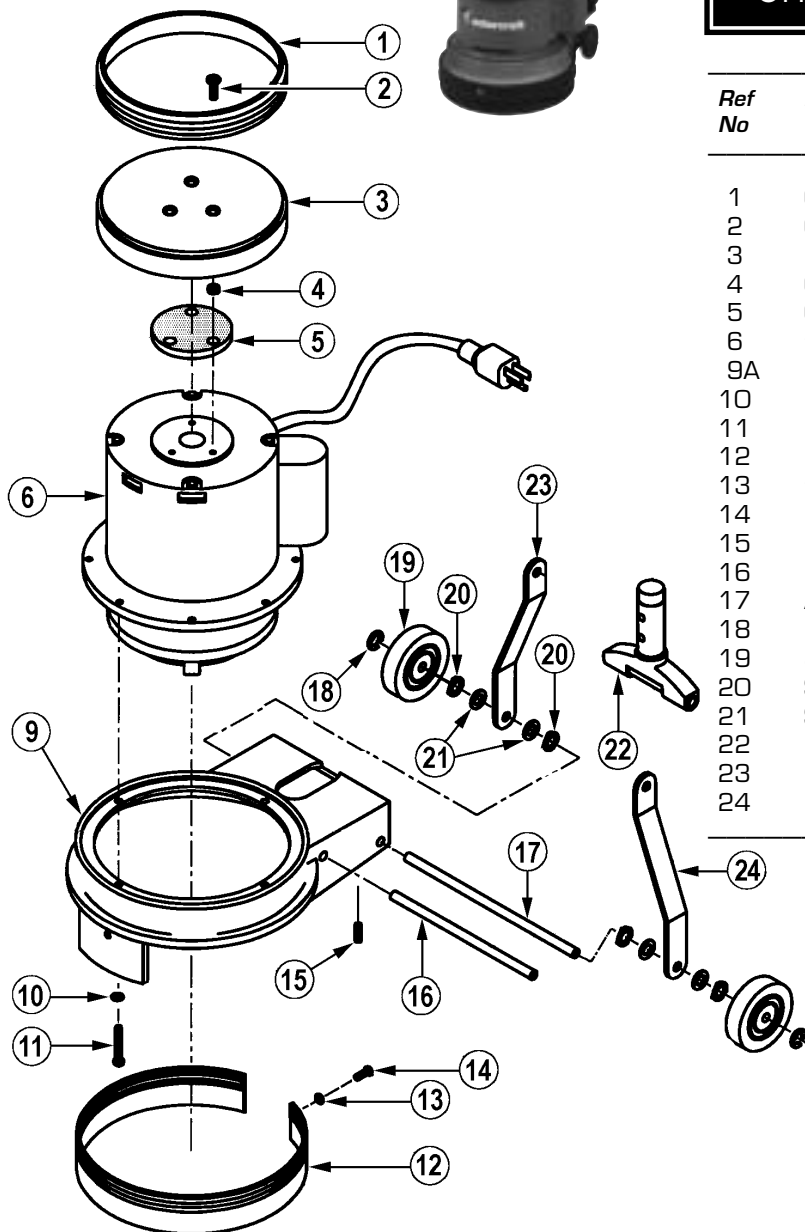


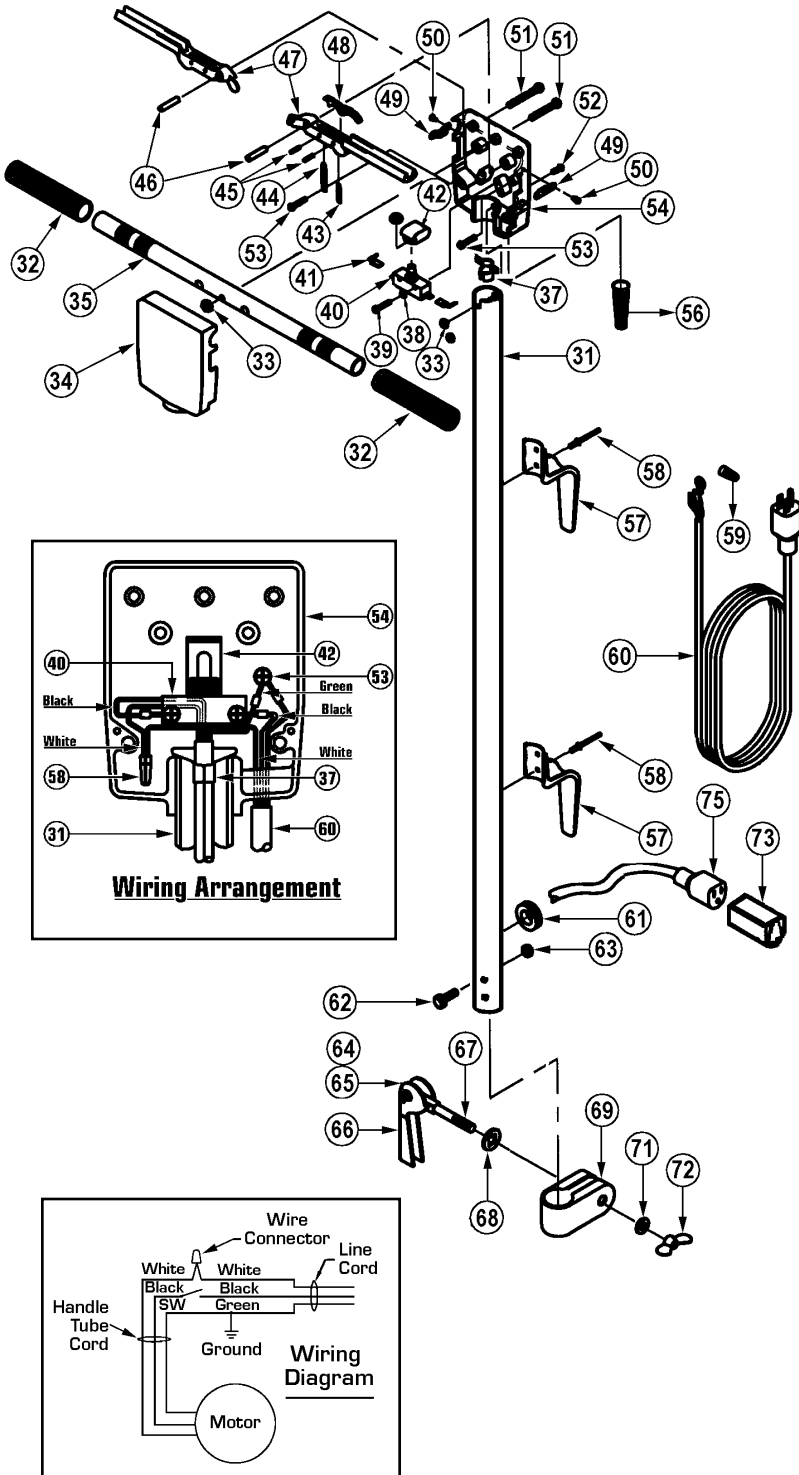
# MCL-10 QUARRYMASTER™ FLOOR MACHINE REPLACEMENT PARTS LIST

## CHASSIS & MOTOR ASSEMBLY



Ref No	Part Description	Qty	Part No
1	Canopy Bumper	1	441635
2	Canopy Screw	3	377201
3	Motor Canopy - 115V Machine	1	353132
4	Canopy Spacer	3	377228
5	Canopy Gasket	1	354678
6	¾ HP, 115V Motor & Gear Box	1	385980
9A	10" Apron - 115V Machine	1	336246
10	¼" Lockwasher	4	342858
11	¼-20 - ¾" Screw	4	354775
12	10" Bumper	1	336394
13	⅜" Flat Washer	5	322164
14	#10 Screw	3	325791
15	⅝-18 Set Screw	2	352861
16	Handle Tee Axle	1	353388
17	Axle Shaft	1	376930
18	Retaining Ring	3	368946
19	3" Wheels	2	353183
20	Spring Washer	4	353248
21	Steel Washer	4	353221
22	Handle Tee Casting	1	361046
23	Left Strut Support	1	360058
24	Right Strut Support	1	360066

# HANDLE ASSEMBLY



Ref No	Part Description	Qty	Part No
31	Handle Tube	1	376779
32	Ribbed Handle Grip	2	324744
33	#12-24 Nut w/Lockwasher	1	376744
34	Switch Box Cover	1	458945
35	Handle Bar	1	376612
37	Cord Clamp	1	342890
38	Internal Tooth Washer	2	355224
39	#6-32 Switch Screw	2	335576
40	Trigger Switch	1	469629
41	Flag Terminal	2	379166
42	Leaf Spring	1	335584
43	Trigger Lock Spring	2	383147
44	Extension Spring	2	376671
45	Roll Pin	4	383139
46	Trigger Pin	2	376701
47	Plastic Trigger	2	385654
48	Trigger Lock	2	390119
49	Reinforced Plate	2	387169
50	#6-32 X 1/4" Screw	4	349402
51	#12-24 X 17/16" Screw	5	376760
52	#12-24 X 1/2" Screw	2	312746
53	#8-32 X 1/4" Screw	3	367389
54	Switch Box Back	1	458953
56	Strain Relief	1	352705
57	Cord Hook	2	352845
58	Pop Rivet	4	318892
59	Electrical Orange Wire Nut	1	398985
60	50 Ft, 14-3 Power Cord	1	376809
61	Grommet	1	435252
62	5/16-18 X 1 1/2" Screw	2	353272
63	Hex Nut	2	354791
64	Cap	1	380555
65	Lever Pin	1	382434
66A	Clamping Lever	1	380520
66B	Clamping Lever Kit	1	373249
67	.37-16 X 3.37" Bolt	1	380504
68	Square Hole Flat Washer	1	382426
69	U Clamp	1	376051
71	Steel Washer	1	353221
72	Wing Nut	1	380490
73	Grey Connector Sleeve	1	355844
75	#14-3 X 48" Power Cord	1	435279



**Address:**  
 777 South Street ♦ P.O. Box 2310  
 Newburgh, New York 12550-0606

**TEL:** 800.835.7812 ♦ 845.565.8850  
**FAX:** 800.752.6883 ♦ 845.565.9392  
**Internet Address:** www.mastercraftusa.com